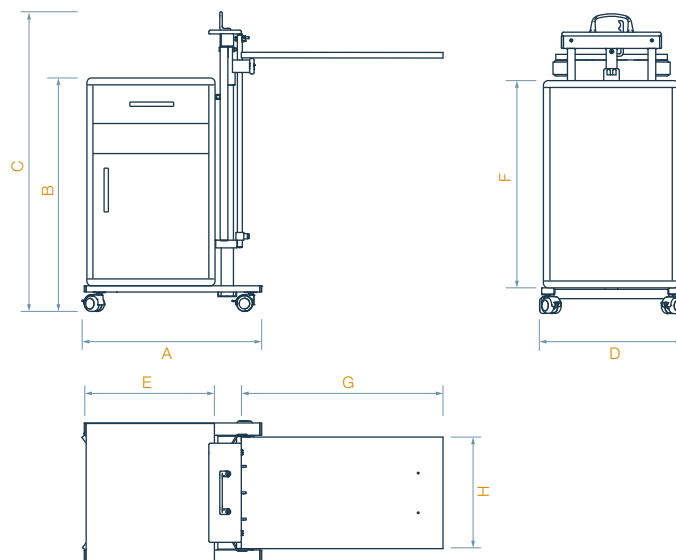


# Salduba Bedside Table



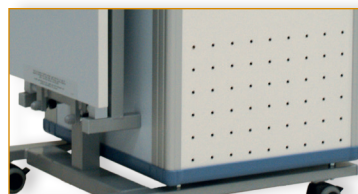
## Option colours



## Features

Bedside table with anodised aluminium structure, modular by side panels with laminated coating, attached glue free that provides an innovative aesthetic and extremely light.

- Upper and low textured ABS covers, easy to clean MDF boards with melamine coating and PVC edges. "Monoblock" polypropylene drawer, light, easy to clean and maintain.
- 4 double pivoting wheels with brakes with Ø65 and thermoplastic rubber band. This provides it easy to use, safety and quiet operation.
- Ventilation grid at the back side. Hollow for magazine and inner shelf. Rounded edges and corners. Ergonomic zamak handles.
- Easy cleaning.
- Customizable according to client.
- Auxiliary table system that can be attached to the table depending on the height at which the table is.



## Technical information

Structure dimensions:

Width (A)	570 mm. ±10 mm.
Height (B)	810 mm. ±10 mm.
Total height (C)	1245 / 945 mm. ±10 mm.
Depth (D)	450 mm. ±10 mm.
Bedside width (E)	520 mm. ±10 mm.
Bedside height (F)	700 mm. ±10 mm.

Board dimensions:

Length (G)	650 mm. ±10 mm.
Width (H)	380 mm. ±10 mm.

