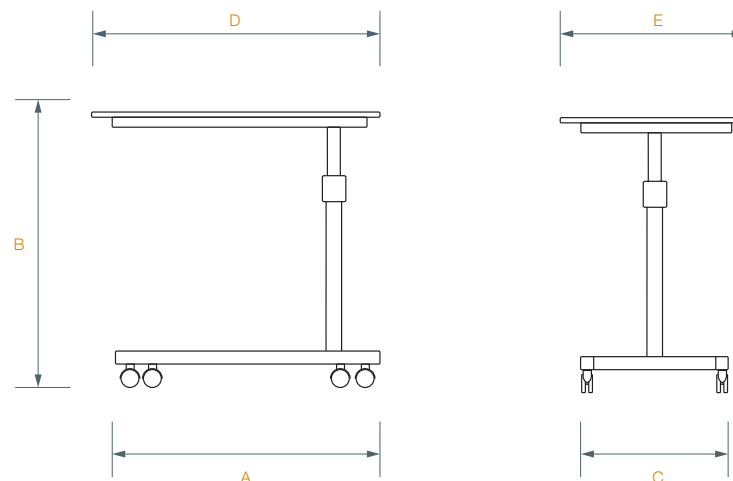


# Tilt-Top Table



## Colour options



## Features

Auxiliary tilt-top table with casters.

Adjustable height by assisting spring.

Tubular steel structure with polyester coating.

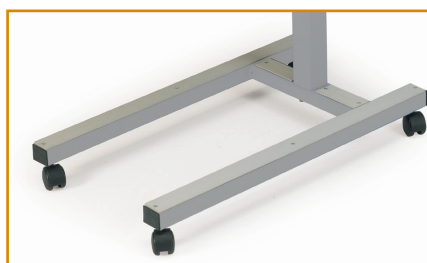
Telescopic column lockable in different height driven by a manual operating handle.

270° tilt-top table for easy storage, whilst it is not being used. It is made of HPL (High Pressure Laminated). Shatterproof, fireproof and easy cleaning.

This material has the possibility to be made in a large range of colours and finishes.

4 double pivoting wheels with independent brake and thermoplastic rubber band. It makes the table an easy usage, safety and silent handling.

“U” or “H” shape base version available depending on user needs.



## Technical information

Structure dimensions:

Largo (A) 820 mm. ± 5 mm.

Width (C) 400 mm. ± 5 mm.

Minimum height (B) 720 mm. ± 5 mm.

Maximum height (B) 1030 mm. ± 5 mm.

Wheels diameter Ø 45 mm.

Board dimensions:

Length (D) 795 mm. ± 5 mm.

Width (E) 395 mm. ± 5 mm.

