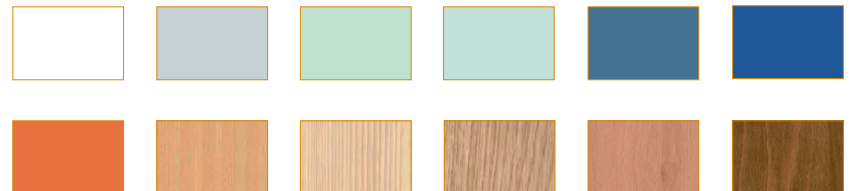


Colour options



Features

Auxiliary table with casters.

Height adjustment made by spring.

Tubular steel structure with polyester coating.

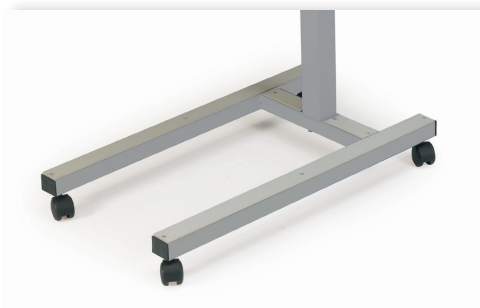
Stainless steel telescopic column.

Bi-oriented tray panel with 5 positions (47° maximum) and made of HPL (High Pressure Laminated). It is shatterproof, fireproof and easy cleaning. Handle included.

This material has the possibility to be made in a large range of colours and finishes.

4 double pivoting wheels with independent brake and thermoplastic rubber band. It makes the table an easy usage, safety and silent handling.

“U” or “H” shape base version available depending on user needs.



Technical information

Dimensiones de la estructura:

Largo con pie en “U” (A)	820 mm. ± 5 mm.
Largo con pie en “H”(A)	700 mm. ± 5 mm.
Ancho (C)	400 mm. ± 5 mm.
Altura mínima (B)	735 mm. ± 5 mm.
Altura máxima (B)	1150 mm. ± 5 mm.
Ø de las ruedas	50 mm.

Dimensiones del tablero:

Largo (D + E)	650 + 230 mm.
Ancho (F)	430 mm.
Inclinación del tablero	84°

